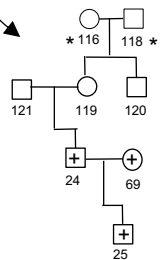
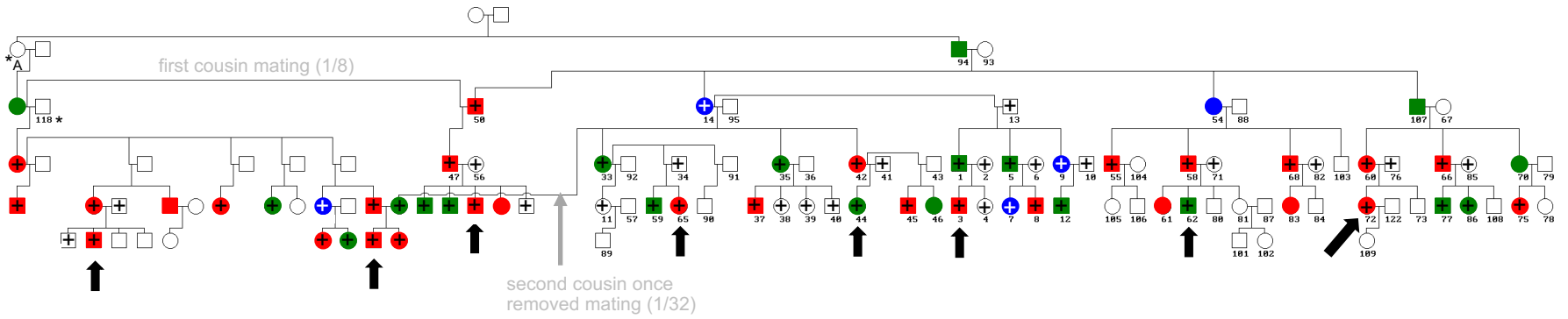


- Female
- Male
- Tourette Syndrome
- Chronic multiple motor or vocal tics
- Obsessive-compulsive behavior
- Unaffected



"+": have DNA (44 patients, 22 unaffected) - ran GWAS array on all

↑: 8 cases selected for whole genome sequencing