

Intake Design for an Atmosphere-Breathing Electric Propulsion System (ABEP)

F. Romano^{a,1}, J. Espinosa-Orozco^{a,2}, M. Pfeiffer^{a,3}, G. Herdrich^{a,4},
 N.H. Crisp^b, P.C.E. Roberts^b, B. E.A. Holmes^b, S. Edmondson^b, S. Haigh^b,
 S. Livadiotti^b, A. Macario-Rojas^b, V.T. A. Oiko^b, L.A. Sinpetru^b, K. Smith^b,
 J. Becedas^c, V. Sullioti-Linner^c, M. Bisgaard^d, S. Christensen^d,
 V. Hanessian^d, T. Kauffman Jensen^d, J. Nielsen^d, Y.-A. Chan^a, S. Fasoulas^a,
 C. Traub^a, D. García-Almiñana^e, S. Rodríguez-Donaire^e, M. Sureda^e,
 D. Kataria^f, B. Belkouchi^g, A. Conte^g, S. Seminari^g, R. Villain^g

^a*Institute of Space Systems (IRS), University of Stuttgart, 70569, Germany*

^b*The University of Manchester, Oxford Road, Manchester, M13 9PL, UK*

^c*Elecnor Deimos Satellite Systems, C/ Francia 9, 13500, Puertollano, Spain*

^d*GomSpace AS, Langagervej 6, Aalborg East 9220, Denmark*

^e*UPC-BarcelonaTECH, Colom 11, TR5 - 08222 Terrassa, Spain*

^f*Mullard Space Science Laboratory, University College London, Holmbury St. Mary, Dorking, Surrey, RH5 6NT, UK*

^g*Euroconsult, 86 Boulevard de Sébastopol, 75003 Paris, France*

Abstract

Challenging space missions include those at very low altitudes, where the atmosphere is source of aerodynamic drag on the spacecraft. To extend the lifetime of such missions, an efficient propulsion system is required. One solution is Atmosphere-Breathing Electric Propulsion (ABEP) that collects atmospheric particles to be used as propellant for an electric thruster. The system would minimize the requirement of limited propellant availability and can also be applied to any planetary body with atmosphere, enabling new missions at low altitude ranges for longer times. IRS is developing, within the H2020 DISCOVERER project, an intake and a thruster for an ABEP system. The article describes the design and simulation of the intake, optimized to feed the radio frequency (RF) Helicon-based plasma thruster developed at IRS. The article deals in particular with the design of intakes based on diffuse and specular reflecting materials, which are analysed by the PICLas DSMC-PIC tool. Orbital altitudes $h = 150 - 250$ km and the respective species based on the NRLMSISE-00 model (O, N₂, O₂, He, Ar, H, N) are investigated for several concepts based on fully diffuse and specular scattering, including hybrid designs. The major focus has been on the intake efficiency defined as $\eta_c = \dot{N}_{out}/\dot{N}_{in}$, with \dot{N}_{in} the

¹Research Associate, romano@irs.uni-stuttgart.de

²Research Guest, jesuseo@kth.se

³Head of Numerical Modelling and Simulations, mpfeiffer@irs.uni-stuttgart.de

⁴Head Plasma Wind Tunnels and Electric Propulsion, herdrich@irs.uni-stuttgart.de

incoming particle flux, and \dot{N}_{out} the one collected by the intake. Finally, two concepts are selected and presented providing the best expected performance for the operation with the selected thruster. The first one is based on fully diffuse accommodation yielding to $\eta_c < 0.46$ and the second one based on fully specular accommodation yielding to $\eta_c < 0.94$. Finally, also the influence of misalignment with the flow is analysed, highlighting a strong dependence of η_c in the diffuse-based intake while, for the specular-based intake, this is much lower finally leading to a more resilient design while also relaxing requirements of pointing accuracy for the spacecraft.

Keywords: ABEP - Intake - VLEO - DSMC - PICLas - Birdcage - Helicon

Nomenclature

ABEP: Atmosphere-Breathing Electric Propulsion

DSMC: Direct Simulation Monte Carlo

FMF: Free Molecular Flow

GSI: Gas-Surface Interaction

IPT: RF Helicon-based Plasma Thruster

VLEO: Very Low Earth Orbit

SC: Spacecraft

1. Introduction

1.1. ABEP Concept

An atmosphere-breathing electric propulsion system (ABEP), see Fig. 1, is composed of two main components: the intake and the electric thruster. The system is designed for satellites orbiting at very low altitude altitudes, for example in very low Earth orbit (VLEO), defined for altitudes $h < 450$ km [1]. The ABEP system collects the residual atmospheric particles encountered by the satellite through the intake and uses them as propellant for the electric thruster. The system is theoretically applicable to any planetary body with an atmosphere, and can drastically reduce the on-board propellant storage requirement while extending the mission's lifetime [2]. Many ABEP concepts have been investigated in the past based on radio frequency ion thrusters (RIT) [3–5], ECR-based thruster [6–10], Hall-effect thrusters (HET) [11–17], and plasma thrusters [18]. The only laboratory tested ABEP systems to date are the ABIE, composed of an annular intake and an ECR-based thruster into one device [6–9], and the RAM-HET system, comprised of the intake and a HET assembled into one device [13–17].

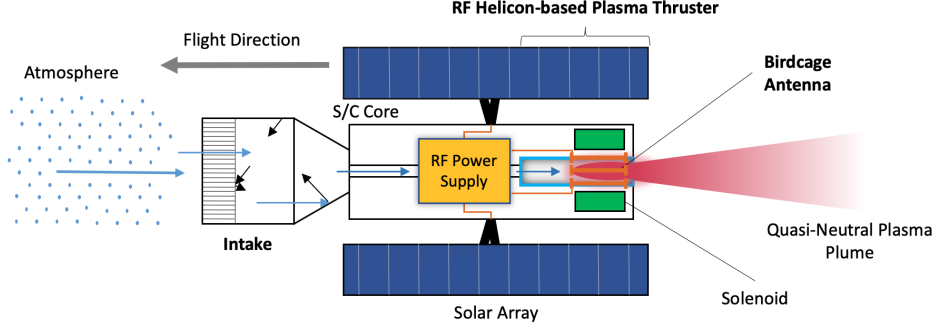


Figure 1: Atmosphere-Breathing Electric Propulsion Concept using the RF Helicon-based plasma thruster [19].

1.2. Intake Working Principle

The intake is the device of an ABEP system that collects and delivers the atmospheric particles to the electric thruster, the general design is shown in Fig. 2. The intake must ensure efficient collection of atmospheric particles and provide the required density, pressure, and mass flow for the thruster's operation, while minimizing the required frontal area.

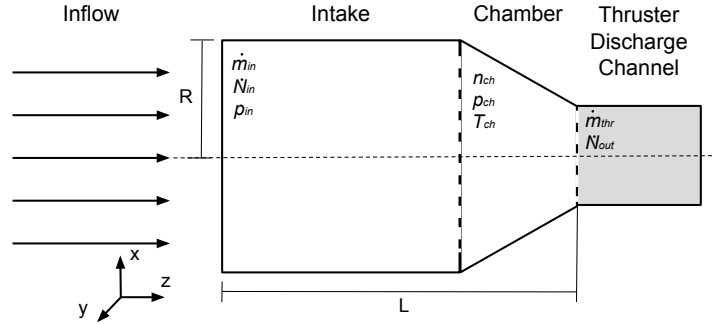


Figure 2: Intake General Design including the Thruster's Discharge Channel.

The number density is n and \dot{N} is the particle flux. A key parameter to evaluate the intake performance, is the collection efficiency $\eta_c(h)$ defined in Eq. 1, where \dot{N}_{out} is the collected particle flux and \dot{N}_{in} is the incoming one, the subscript i refers to each different particle species $i = [1, N_s]$, where N_s is the total number of species found in the inflow environment. As the VLEO composition is highly variable, the task to efficiently collect each species in a variable density range is challenging.

$$\eta_c(h) = \frac{\sum_{i=1}^{N_s} \dot{N}_{out_i}}{\sum_{i=1}^{N_s} \dot{N}_{in_i}} \quad (1)$$

A further key parameter is the pressure at the intake chamber section p_{ch} , which is an input for the thruster. By applying the ideal gas assumption p_{ch} is derived as in Eq. 2, where n_{ch} and T_{ch} are the particle number density and temperature at the chamber section, and $k_b = 1.380649 \times 10^{-23}$ J/K is the Boltzmann constant.

$$p_{ch} = \sum_{i=1}^{N_s} n_{ch_i} k_b T_{ch} \quad (2)$$

Finally, the output mass flow to the thruster \dot{m}_{thr} is obtained as in Eq. 3, where m_p is the particle mass.

$$\dot{m}_{thr}(h) = \sum_{i=1}^{N_s} m_{p_i} \dot{N}_{out_i}(h) \quad (3)$$

Within this study, hexagonal and circular geometries, for the whole intake but also for the ducts are investigated. To differentiate between them, the aspect ratio (AR) is defined in Eq. 4 and used, where S is the hexagonal duct short diagonal, $D = 2R$ is the circle diameter, and L the intake length.

$$AR = \frac{L}{R} \begin{cases} R = \frac{S}{2} & \text{for the hexagonal-shape based intake} \\ R = \frac{D}{2} & \text{for the parabolic-shape based intake} \end{cases} \quad (4)$$

1.3. Intake Literature Review

Over the last decades, several research groups have approached the intake design for an ABEP system [20]. Most of those are based on diffuse scattering materials, and implement a front section of small ducts to reduce the backflow, acting as molecular trap, to achieve higher $\eta_c < 0.5$. The intake designed by Nishiyama and JAXA [6–10], uses long ducts packed in a ring-shaped section surrounding the SC body and ending on a conical reflector at the back, $\eta_c < 0.46$. There they are ionized by electron cyclotron resonance (ECR) and accelerated by grids to produce thrust. Busek Co. Inc. [11, 12] designed the MABHET spacecraft for Mars orbit equipped with an ABEP system based on HET technology. It has a long and slender cylindrical intake in front of the SC with a honeycomb duct section at the front to operate as a molecular trap delivering $\eta_c = 0.2 - 0.4$. The intake designs developed at IRS [21–23] are based on a long slender cylindrical intake with a honeycomb duct section in the front optimized for both Earth and Mars atmosphere that can achieve $\eta_c = 0.43$. The Central Aerohydrodynamic Institute TsAGI [24–30] developed a similar concept, but the honeycomb is changed for a squared duct section delivering $\eta_c = 0.33 - 0.34$. SITAEL and the von Karman Institute for Fluid Dynamics, Aeronautics and Aerospace [13–17, 31], refined the intake design that started with the 2007 ESA RAM-EP study [3]. The intake features several coaxial cylinders connected by plates which form divisions of different AR between each cylinder delivering $\eta_c = 0.28 - 0.32$. This has been tested in combination with a modified HET

for ABEP operation and is the only ABEP system of intake and thruster in one device that has been tested for continuous operation, to date, in the laboratory [13–17, 31]. The Lanzhou Institute of Space Technology and Physics [32], designed an active intake with a two stage system, a passive multi-hole plate followed by an active compression with a turbo pump system that can achieve $\eta_c = 0.42 - 0.58$. Finally, the University of Colorado [33] investigated specular scattering and finally designed an intake using the optical properties of a parabola leading to an estimated $\eta_c > 0.9$. A summary of these intake studies and their main features and performances are shown in Tab. 1.

Table 1: Literature Intake Main Performances.

Design	Act./Pass.	Scattering	Ducts	η_c , -
ABIE [6–10]	P	Diffuse	Yes	0.28 – 0.46
BUSEK [11, 12]	P	Diffuse	Yes	0.20 – 0.40
U. Stuttgart IRS [21, 22]	P	Diffuse	Yes	0.43
SITAEL, VKI [13–17, 31]	P	Diffuse	Yes	0.28 – 0.32
Lanzhou Inst. [32]	A	Diffuse	Yes	0.42 – 0.58
TsAGI/RIAME [24–30]	P	Diffuse	Yes	0.33 – 0.34
U. Colorado [33]	P	Specular	No	< 0.90

Finally, each intake design always needs to be tailored based on the thruster applied and its requirements and also on the mission profile: expected operational orbits (altitudes and inclinations) and duration (i.e. to account for solar activity variation).

2. Gas-Surface Interactions (GSI)

Rarefied flows are described by the gas-kinetic Boltzmann equation, which is commonly solved numerically using the DSMC method [34]. Due to the few collisions that occur in rarefied flows, flow parameters are typically strongly dominated by wall interactions of the particles, in particular in VLEO [35]. Therefore, modelling the surface interactions of the particles as accurately as possible plays an important role in this flow regime and thus also in the design of the intake [36, 37]. In general, particles can either be absorbed, scattered, or undergo a chemical reaction at surfaces. Accurate modelling of these processes is highly complex due to the lack of sufficient knowledge of surface properties, such as finish, cleanliness, adsorbed gas layers, and especially when placed in VLEO environment and the interactions that occur with different gases, particularly atomic oxygen (AO). Finally, due to the requirements for the intake design, the Maxwell model is introduced.

2.1. Maxwell Model

Upon particle impact with a surface an exchange of momentum and energy takes place, and the velocity of the incoming molecule is altered by the specific

local properties of the impacted surface. The Maxwell model is a simplified approach that uses two types of surface-particle interactions: specular and diffuse reflection. The schematics are shown in Fig. 3 in which the velocity vector of the particles v is represented by the black arrows with a thinner tip, \hat{n} and \hat{t} are the normal and tangential unit vectors, and δ_i and δ_r the incident and re-emission angles.

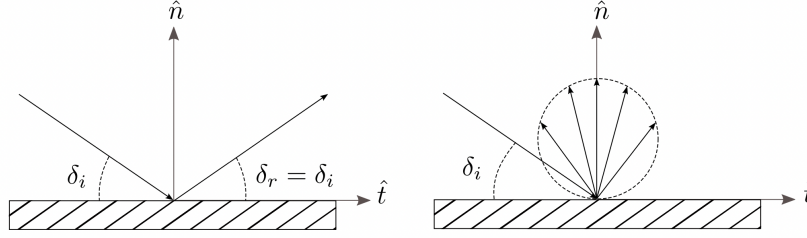


Figure 3: Mechanism of specular and diffuse re-emission [38]

In specular reflections, particles rebound when hitting the surface without energy exchange, the angle of reflection equals the incident angle $\delta_r = \delta_i$, and the tangential component of particle velocity $\mathbf{v}\hat{t} = v_t$ remains constant. Only the normal velocity component $\mathbf{v}\hat{n} = v_n$ is affected undergoing a complete inversion $v_t \rightarrow -v'_t$. In diffuse reflection, instead, the velocity of reflected molecules \mathbf{v}' is independent of the incident one. Particles reach thermal equilibrium with the surface and are reflected according to a Rayleigh distribution corresponding to the wall temperature T_{wall} . The Maxwell model defines the accommodation coefficient σ_B , to represent the fraction between diffuse and specular reflection, and it is highly dependent on the surface material properties. The accommodation coefficient can be implemented in both the momentum and energy equations [39] and is defined in Eq. 5, where the energy of the incident particle is E , and E' the energy of the reflected particle, while E_W is the energy of the particle which it would have at a full accommodation to T_{wall} .

$$\sigma_B = \frac{E - E'}{E - E_W} \quad (5)$$

For realistic free molecular flows (FMF) and most surface materials, a full accommodation $\sigma_B = 1$, corresponding to diffuse reflection, provides good simulation results on surface interactions [34, Ch. 5, pp. 118]. Instead, specular reflection is for $\sigma_B = 0$.

3. Atmospheric Model

Among the several atmospheric models available, the NRLMSISE-00 is used as it accurately accounts for the lower thermosphere atmospheric conditions, and has been previously used for work on ABEP systems [2, 40, 41]. In Fig. 4, the averaged particle number densities and neutral temperature T_{in} are plotted

in VLEO for an equatorial orbit. The latitude is fixed to 0° while longitudes are averaged between $0 - 360^\circ$ in 45° steps. The data is extracted from the NASA Community Coordinated Modelling Center [42] for the 15/02/2020 at 00:00:00 corresponding to $F_{10.7} = 69.5$, the solar radio flux at a wavelength of $\lambda = 10.7$ cm, and the geomagnetic index $A_p = 4.1$. The date is selected as it offers the latest updated solar activity data for NASA Community Coordinated Modeling Center at the beginning of the current research, corresponding to low solar activity. However, once the mission lifetime and launch date are set, the respective solar activity must be taken into account as can lead to large variations in the atmospheric environment [2]. The selected altitudes range is between $h = 150 - 250$ km. The lower limit is due to aerodynamic drag, that starts increasing exponentially leading to very high power requirements [41] and also heating of the SC [2]. The upper limit is set due to the limited propellant collection, falling below thruster requirements by a typical sized SC, and where conventional electric propulsion becomes competitive against an ABEP system [3]. The dominant species in the selected altitude range are N_2 and atomic oxygen (AO).

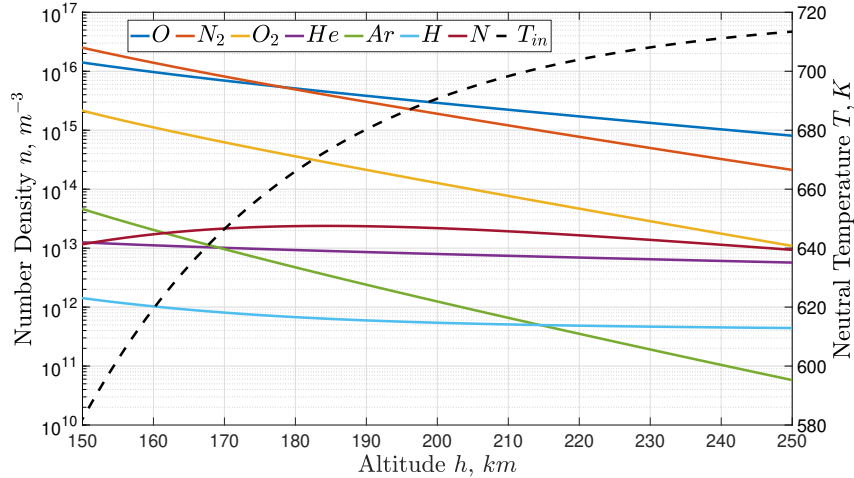


Figure 4: Atmospheric Composition in VLEO, NRLMSISE-00 Atmospheric Model: 15/02/2020 at 00:00:00, $F_{10.7} = 69.5$, $A_p = 4.1$, averaged $0 - 360^\circ$

4. The PICLas Numerical Tool

PICLas is a numerical tool for simulating non-equilibrium gas and plasma flows developed by the Institute of Space Systems (IRS) and the Institute of Aerodynamics and Gasdynamics (IAG) at the University of Stuttgart [43]. The code is a three-dimensional, parallelized simulation framework for the coupling of, among others, DSMC and Particle-in-Cell [43, 44]. For the scope of this project, the DSMC module with the Maxwell model for surface interactions is used. Within the code, the proportion of diffuse and specular reflections is

regulated by the momentum accommodation coefficient (MomentumACC). For the case MomentumACC > R_{PICLas} a diffuse reflection is performed, otherwise a specular one is performed during a GSI (R_{PICLas} : a given number within $R_{PICLas} = [0, 1)$).

4.1. Simulation Settings

The simulation domain of the intake is discretized using unstructured hexahedral cells. Due to the symmetry of the intake design, see Fig. 2, and for an incoming flow parallel to z , symmetry planes normal to x and y are used to reduce the mesh size and therefore optimize the simulation efficiency. Additionally, more optimized concepts are explored with two different mesh setups and simulation times to verify the results [45]. The ABEP VLEO altitude range of $h = 150 - 250$ km corresponds to the orbital velocity $v_{SC} \sim 7.8$ km/s [2]. The free stream conditions at VLEO are in the free molecular flow regime [2, 23], and the particle flow can be treated as hyperthermal for the selected AR in this study [23, 32]. This is valid at low temperatures when the random thermal motion of the incoming particles is negligible compared to the SC velocity v_{SC} . Therefore, the incoming flow is collimated entering the intake with a single free stream bulk velocity $v_{in}(h) = v_{SC}(h)$ at a specific incoming angle α . Assuming a circular orbit, $v_{SC}(h)$ is calculated as in Eq. 6, where $\mu_E = 3.986 \times 10^{15}$ km/s² is the Earth’s gravitational parameter, and its average radius $R_E = 6371$ km.

$$v_{SC}(h) = \sqrt{\frac{\mu_E}{R_E + h}} \quad (6)$$

Finally, the temperature of the intake walls T_{wall} is set to that of a SC in LEO $T_{wall} = 300$ K [2, 21]. Investigation based on variation of T_{wall} in the intake has been performed previously, but have shown no significant influence on intake performance [23]. The flow parameters used as input in PICLas are shown in Tab. 2, and are extracted from the NRLMSISE-00 atmospheric model as specified in Sec. 3. Finally, all the species shown in Fig. 4, are accounted in the simulations with their respective n_i .

Table 2: PICLas Simulations Flow Parameters based on NRLMSISE-00 Atmospheric Model

h km	T_{in} K	T_{wall} K	v_{SC} m/s	$n_{in,total}$ 1/m ³
150	582.0	300	7818.2	4.131E+16
180	666.1	”	7800.3	1.042E+16
200	690.7	”	7788.5	4.967E+15
220	703.9	”	7776.6	2.560E+15
250	713.4	”	7759.0	1.045E+15

The intake concepts based on diffuse reflecting materials are represented by MomentumACC= 1.0, while those based on specular reflecting materials by

MomentumACC= 0.0. In the hybrid concepts, each surface boundary condition (B.C.) is singularly defined as either diffuse or specular. As a final remark, all the intakes are based on an A_{out} that is defined by the selected reference thruster [2].

5. Intake Based on Diffuse Reflecting Materials

The previous work performed at IRS on diffuse reflection-based intake designs concluded that hexagonal geometries are the most adequate for the intake front grid geometry due to the lower backflow transmission probabilities for single and multiple ducts [23]. Such analysis included an analytical model, the balance model (BM), based on transmission probabilities [21], and simulations for optimal aspect ratios (AR) of the duct grid geometry, defined as the ratio between duct length and square root of its cross section. Finally, the results have been verified via simulations performed with PICLas [21–23]. Based on the previous work, different diffuse reflection-based intake concepts are hereby analysed by implementing hexagonal grid geometries for 3D investigation and tailored, a given A_{out} , to the RF Helicon-based plasma thruster as reference [19]. Various grid AR are simulated based on diffuse reflecting properties to evaluate the effect on η_c . Finally, the hexagonal outer geometry is also implemented to maximize the filling ratio (FR) of the duct structure as $A_{in} = A_{Intake}FR$, and to facilitate flow simulations. The baseline intake design used for the investigation is shown within Fig. 5.

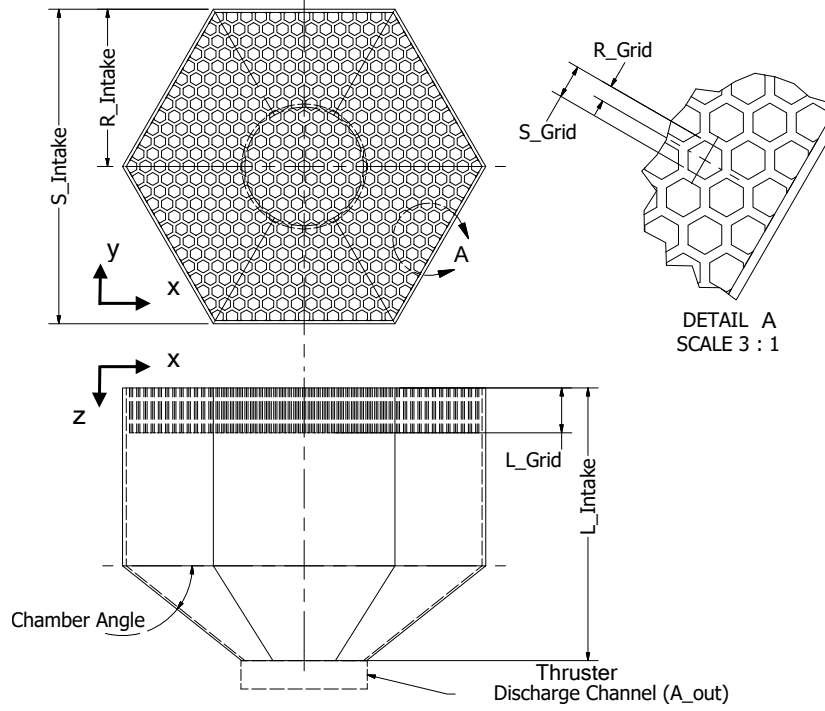


Figure 5: Diffuse Intake Design Schematics

5.1. Design Improvement Settings and Procedure

The design improvement process is iterative. The starting case is set for an altitude $h = 150$ km at an incoming angle $\alpha = 0^\circ$. Based on this different (intake) cases are designed, simulated, and evaluated for better understating the scattering dynamics inside the hexagonal ducts in terms of η_c . The first iteration affects the variation of overall intake size and chamber angles, with a fixed duct AR based on previous studies [21–23]. Then, the designs providing $\eta_c \geq 0.3$ are further adapted to the hexagonal outer shape. In the second iteration step, different duct AR are simulated, while keeping chamber angle, intake length, and intake diameter constant. Finally, the concepts with the highest η_c are selected for further investigation and the respective collectible \dot{m}_{thr} and pressure distribution of p_{ch} are taken into account.

5.2. Simulation Results

The three selected designs are named Diffuse-Nominal (D-N), Diffuse-Multiple Duct AR (D-MDAR), and Diffuse-Maximum Filling Ratio (D-MFR). The respective performance and settings are shown in Tab. 3. The D-N case is derived

directly from the enhanced funnel design (EFD) [21–23], adapted to an hexagonal shape, and hereby optimized for the RF Helicon-based plasma thruster. This case is the baseline for all the upcoming concepts.

The D-MDAR design features multiple duct AR to increase the effective intake area A_{in} directly in front of the thruster's discharge channel with larger AR ducts, while smaller ducts are at the outer perimeter, as this region is expected to have larger backflow. The schematics displaying the frontal view of the D-MDAR is shown in Fig. 6.

The D-MFR case is designed to maximize A_{in} , while still taking advantage of the backflow mitigation of the duct section. The number of ducts on the intake is minimized and their AR equal, finally reducing the cross-sectional area of the duct geometry while keeping the same wall thickness.

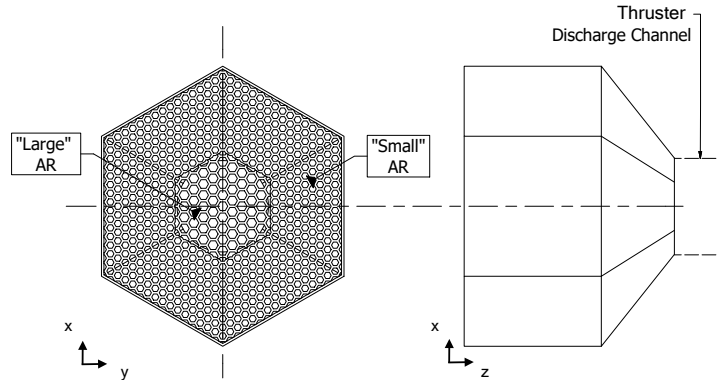


Figure 6: Frontal and Lateral Views of the D-MDAR Intake Design

Table 3: Diffuse Reflection-Based Cases Results, $h = 150$ km

	A_{Intake} m ²	FR %	A_{in} m ²	\dot{N}_{in} 1/s	\dot{N}_{out} 1/s	η_c -	\dot{m}_{thr} mg/s
D-N	0.008	50.6	0.004	1.31E+18	4.15E+17	0.317	0.0193
D-MDAR	0.008	51.8	0.004	1.34E+18	6.14E+17	0.458	0.0240
D-MFR	0.004	92.6	0.004	1.24E+18	5.43E+17	0.437	0.0212

As listed in Tab. 3, the D-MDAR case provides the highest performance in terms of both \dot{m}_{thr} and η_c . Although, the D-MFR also provides $\eta_c > 0.4$ with only half frontal area A_{Intake} , this intake design provides a 10% lower \dot{m}_{thr} when compared with D-MDAR case. Different incoming flow angles α , see Fig. 7, are simulated to assess D-MDAR performance variations at conditions in which the SC may not be able to maintain flow-oriented attitude, or due to the presence of strong not-aligned atmospheric winds as seen by GOCE [46].

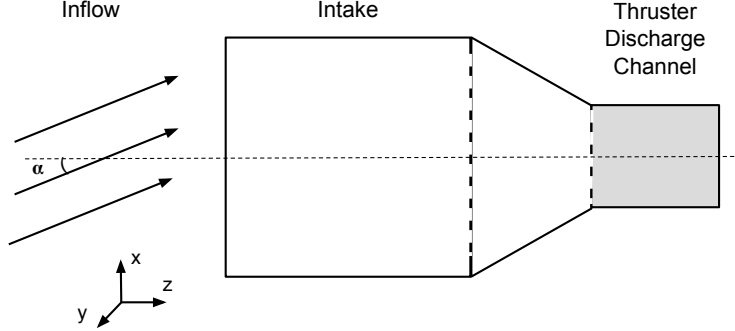


Figure 7: Incoming Flow Angle α Diagram.

In Tab. 4, the results of this analysis are presented, displaying the relative $\Delta\eta_c$ variation of η_c vs α .

Table 4: D-MDAR Case, Flow Misalignment Analysis, $h = 150$ km

Geometry	α °	\dot{N}_{out} 1/s	η_c -	\dot{m}_{thr} mg/s	$\Delta\eta_c$ %
D-MDAR	0	6.11E+17	0.456	0.0240	-
	5	5.07E+17	0.378	0.0198	-17
	10	3.62E+17	0.270	0.0140	-41
	15	2.60E+17	0.194	0.0099	-58
	20	2.01E+17	0.150	0.0077	-67

6. Intake Based on Specular Reflecting Materials

The intake designs based on specular reflecting materials, $\sigma_B = 0$, are aimed to maximize η_c by taking advantage of specular scattering surfaces in combination with optical-based parabolic geometries. The focal point of the parabola is designed to direct the incoming particles to the thruster's discharge channel. A general schematic of the concept is shown in Fig. 8.

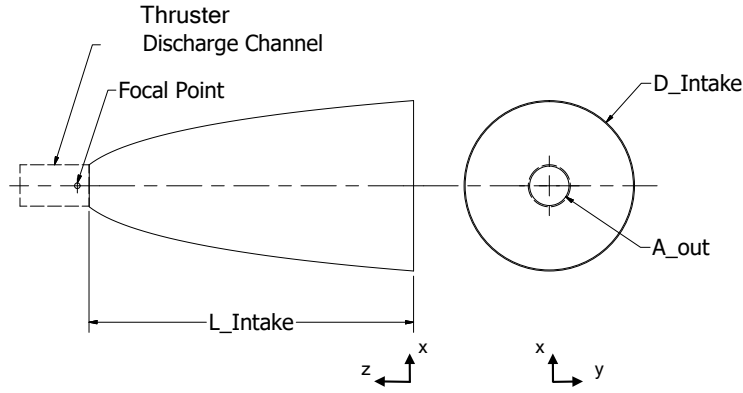


Figure 8: Specular Intake Concept.

Furthermore, concepts with an additional stages are developed, named Specular Multiple-Stage intakes (S-MS), to combine different area ratios to possibly increase \dot{m}_{thr} , see Fig. 9.

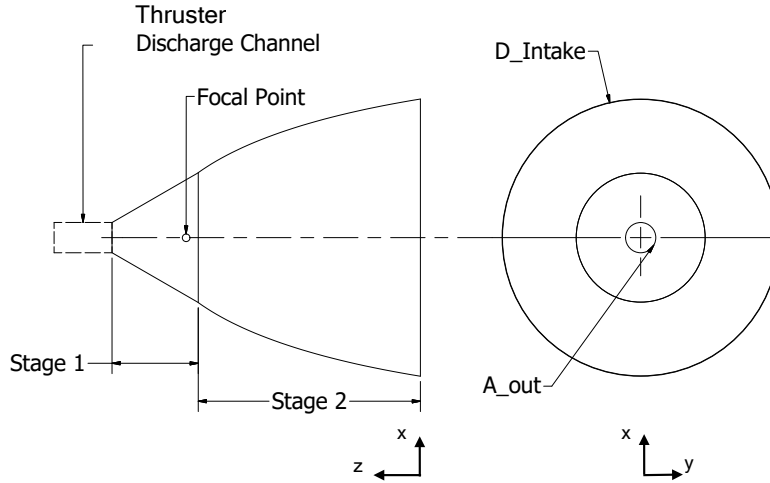


Figure 9: S-MS Intake Concept.

6.1. Design Improvement Settings and Procedure

The design improvement process is iterative. The base case is set for $h = 150$ km at an incoming angle $\alpha = 0^\circ$. Each case is tailored to the given A_{out} of the reference thruster [19], and has different geometric parameters which affect the focal point location of the parabola targeting the maximization of η_c . Furthermore, the cases providing the highest η_c are the investigated aiming to maximizing \dot{m}_{thr} and p_{ch} . Concerning the S-MS intake concept, different

geometrical stage combinations are simulated, based on the improved purely specular designs, to maximize \dot{m}_{thr} and p_{ch} while maintaining $\eta_c > 0.3$.

6.2. Simulation Results

The highest performance cases for the intake based on specular reflecting materials are shown in Tab. 5. The naming of the cases refers to the focal point position of the parabola in respect to the thruster discharge channel, the schematics is shown in Fig. 10.

- S-FE: focus at the boundary between the intake and discharge channel;
- S-FT: focus located inside the discharge channel of the thruster;
- S-FI: focus within the intake itself.

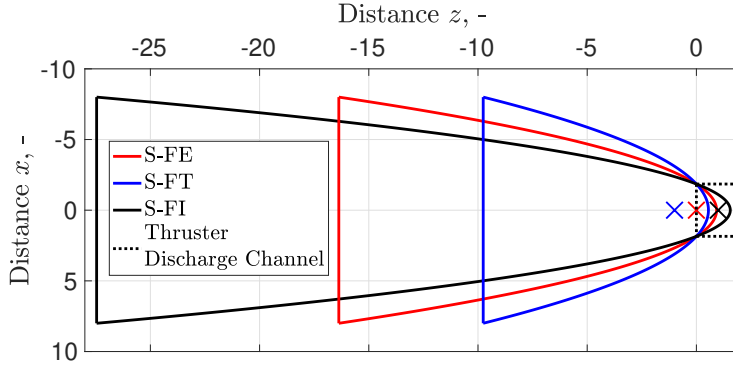


Figure 10: Parabolic Intake Configurations (normalized units).

Finally, the S-FT-D case includes a frontal duct section to take advantage of both the parabolic optical properties, and the low backflow transmission probabilities of the ducts structure. The parabolic geometry is shared with the S-FT case, but, due to the duct section, the A_{in} of the S-FT-D case is smaller.

Table 5: Specular Cases Results $h = 150$ km.

	A_{Intake} m ²	FR %	A_{in} m ²	\dot{N}_{in} 1/s	\dot{N}_{out} 1/s	η_c -	\dot{m}_{thr} mg/s
S-FT	0.019	100.0	0.019	6.33E+18	5.97E+18	0.943	0.232
S-FT-D	0.019	88.5	0.017	5.61E+18	4.97E+18	0.887	0.193
S-FI	0.041	100.0	0.041	1.33E+19	7.83E+18	0.591	0.309
S-FE	0.025	100.0	0.025	8.11E+18	7.15E+18	0.882	0.279

Furthermore, the results for the highest performance cases of the S-MS concept is shown in Tab. 6. The S-MS-F and S-MS-B cases are both applied to the S-FT design described above. In the S-MS-F, $A_{Intake} \sim A_{in}$ is increased by adding a second stage at the front of the S-FT case parabola, while in the S-MS-B case, the second stage is added at the back of the S-FT parabola.

Table 6: S-MS Cases Results $h = 150$ km.

	A_{Intake} m ²	FR %	A_{in} m ²	\dot{N}_{in} 1/s	\dot{N}_{out} 1/s	η_c -	\dot{m}_{thr} mg/s
S-MS-F	0.090	100.0	0.090	2.91E+19	5.90E+18	0.203	0.229
S-MS-B	0.090	100.0	0.090	2.91E+19	9.71E+18	0.334	0.384

The designs providing the highest η_c , the S-FT and the S-FT-D, are further investigated to evaluate the performance sensitivity to flow misalignment α . Based on the results of the diffuse duct simulations, it is expected that the duct geometry could prove useful on mitigating the effects of $\alpha > 0^\circ$, as particles could be captured by the duct geometry and redirected to the parabolic section. The collection efficiency η_c and the output mass flow \dot{m}_{thr} at different α are shown in Fig. 11, where the S-FT case is examined in a closer manner between $10^\circ > \alpha > 15^\circ$ to better understand the influence of α to the parabolic scattering dynamics.

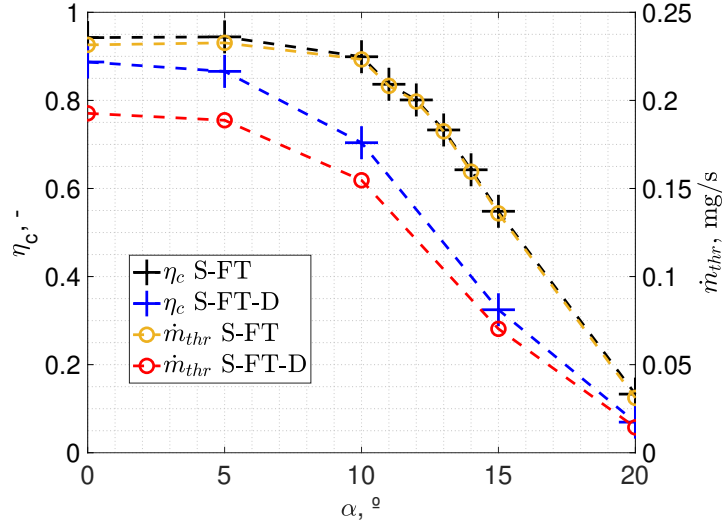


Figure 11: S-FT and S-FT-D Cases η_c and \dot{m}_{thr} vs. α .

7. Hybrid Intake Based on Specular and Diffuse Reflecting Materials

The hybrid intake concepts are based on a multiple stage design and foresee a (hybrid) combination of diffuse $\sigma_B = 1$ and specular $\sigma_B = 0$ reflecting materials. The schematics showing the different intake sections at which the B.C. are applied is shown in Fig. 12.

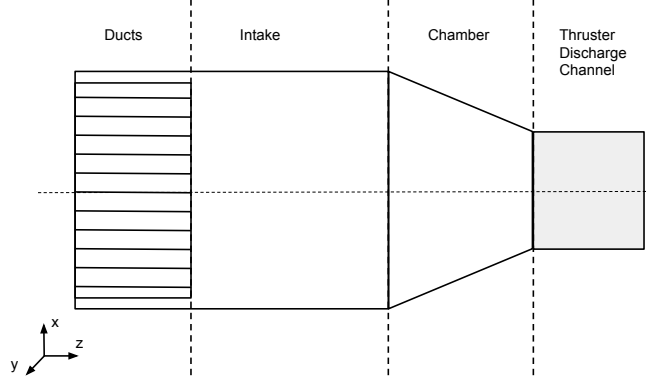


Figure 12: Intake Boundary Condition Sections Scheme

7.1. Design Improvement Settings and Procedure

The hybrid intake concepts are based on the already improved designs presented in Sec. 5, and Sec. 6. Therefore, the design improvement process is focused only on the overall intake performance effect due to different combinations of GSI properties.

At first, the geometry represented by the S-FT case is simulated with all of its surfaces that can have both diffuse and specular scattering. This is achieved by varying σ_B , therefore by changing the MomentumACC in the PICLas parameter file. Finally, it is assumed that for MomentumACC = 0.1 there is a 10% probability of diffuse reflection, thus, the surface is assumed to have 90% specular surface properties.

7.2. Simulation Results

The results of the hybrid intake simulations are shown in Tab. 7. The acronym SP indicates that the B.C. applied to the Intake or/and Chamber section is simulated with specular scattering while DI indicates diffuse scattering. The HI case refers to the hexagonal intake with a duct structure similar to the one in the baseline diffuse intake design of Fig. 5. The S-FT-D and S-FI share the same geometric parameters of their pure specular versions, but each B.C. is simulated according to Tab. 7.

Table 7: Hybrid Cases Results (S-FT) $h = 150$ km.

	A_{Intake} m ²	FR %	A_{in} m ²	\dot{N}_{in} 1/s	\dot{N}_{out} 1/s	η_c -	\dot{m}_{thr} mg/s
HI							
SP: Chamber	0.004	87.9	0.003	1.18E+18	3.22E+17	0.272	0.0140
DI: Intake, Ducts							
HI							
SP: Intake, Chamber	0.004	87.9	0.003	1.18E+18	3.47E+17	0.294	0.0151
DI: Ducts							
S-FT-D							
SP: Intake, Chamber	0.019	88.5	0.017	5.61E+18	2.46E+18	0.439	0.098
DI: Ducts							
S-FI							
SP: Intake	0.090	100.0	0.090	2.91E+19	7.28E+18	0.250	0.287
DI: Chamber, Ducts							

Additionally, the S-FT case is simulated with different level % of material specular reflection over VLEO altitudes, the respective results for η_c are shown in Fig. 13. Such simulation aims to resemble the effect of different GSI properties for the parabolic intake concept providing the highest η_c . In this set of simulations, each intake section shares the same B.C. GSI property.

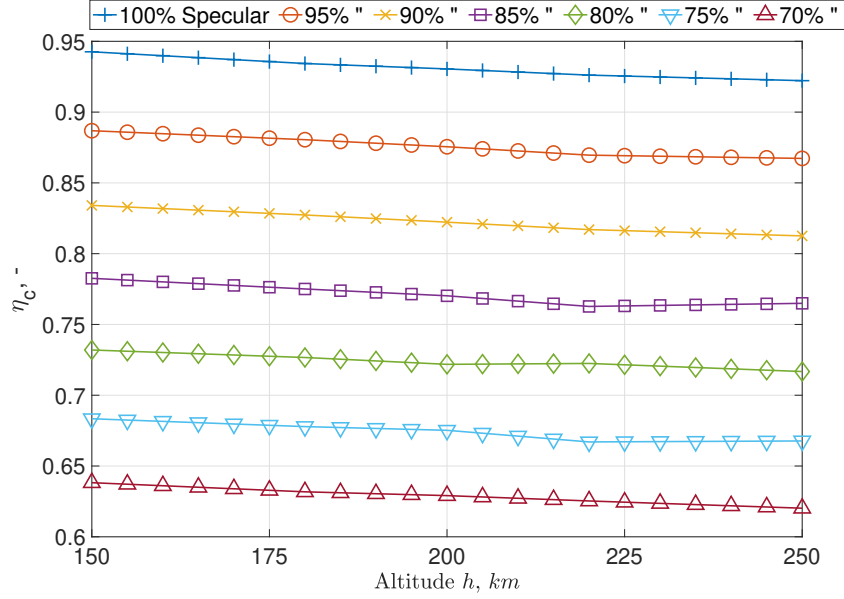


Figure 13: S-FT Intake Case, η_c for Different Accommodation Coefficients vs. Altitude

8. Discussion

This section discusses the results obtained for the different design improvements of specular, diffuse, and hybrid intake concepts.

8.1. Diffuse Intake Improvement

The diffuse intake improvement resulted in two designs to be the most effective for propellant collection: the D-MDAR, and the D-MFR. Both provide the highest $\eta_c = 0.437 - 0.458$ and $\dot{m}_{thr} = 0.0212 - 0.0240$ mg/s, while the second has a maximized FR therefore requiring less A_{Intake} which might be positive for reducing the SC frontal area, and therefore the drag. The addition of a frontal section of small ducts enhances η_c by operating as molecular trap. The sensitivity analysis on the flow misalignment represented by the angle α shows that a $< 50\%$ reduction of η_c is achieved for $\alpha = 10^\circ$, while this reduction is below 20% for $\alpha < 5^\circ$.

8.2. Specular Intake Improvement

The specular intake improvement resulted in very efficient designs, especially the S-FT and the S-FT-D with a respective $\eta_c = 0.943$ and $\eta_c = 0.887$. Both are based on parabolic shapes with their focus located inside the thruster's discharge channel. The S-FT-D includes a front section of hexagonal ducts to reduce the backflow. In particular, the S-FT-D design resulted more sensitive to the misalignment with the flow α which sees a steeper drop of \dot{m}_{thr} and

η_c , see Fig. 11. The S-MS designs provide high \dot{m}_{thr} but lower $\eta_c < 0.334$ compared to the S-FT and S-FT-D designs. For comparison, the p_{ch} distribution of the S-FT case and the S-FE are shown in Fig. 16 and in Fig. 17. The different p_{ch} distribution compared to diffuse-based intakes is due to the optical properties on which the particle collection is based. The S-FT, see Fig. 16, achieves $p_{ch} \sim 0.3$ Pa, while the S-FE achieves a larger pressure $p_{ch} > 1$ Pa in the central region while also resulting in a greater larger-pressure region, see Fig. 17. However, it delivers lower $\eta_c = 0.88$. It is also observed that the S-FT case provides an almost constant η_c until $\alpha \sim 10^\circ$. For $\alpha > 10^\circ$ the impact on η_c becomes larger. In particular, by increasing $\alpha = 10 \rightarrow 11^\circ$ there is a further decrease of η_c by $\sim 10\%$. Such reduction continues until $\alpha = 20^\circ$ at which $\eta_c \sim 0.13$. A $\alpha > 15^\circ$, $\eta_c < 0.6$ and $\dot{m}_{thr} > 0.1$ mg/s.

8.3. Hybrid Intake Improvement

The investigation on the combination of diffuse and specular reflecting materials on hybrid concepts differed from the expected result. It was initially thought that by having a diffuse chamber section, the intake performance would increase. However, lower η_c compared to their pure specular counterpart are achieved. Furthermore, changing the percentage of diffuse versus specular scattering on the S-FT case provided insightful results for the understanding of the behaviour of the parabolic shape with different material properties. The η_c is maintained $\eta_c > 0.6$ for all cases with at least 70% specular reflection. Although a specific relation of the σ_B parameter to the scattering dynamics cannot yet be concluded, the results suggest an almost linear decrease of η_c as the material becomes less specular and more diffuse, see Fig. 13. Such results are very valuable, as intake designs based on partial specular reflecting materials can provide $\eta_c > 0.6$. Additionally, the results show how intake performance could change due to possible material degradation over the mission lifetime, for example by the action of AO in VLEO [2], and thus affecting the η_c .

8.4. Diffuse Intake: Description, Performance, Render

In this section the final diffuse intake is presented. Based on the analysis of the intake concepts using diffuse scattering, the D-MDAR case is selected. Compared to the other best candidate, the D-MFR, provides a more homogeneous pressure distribution, $p_{ch} \sim 0.27$ Pa, in front of the thruster's discharge channel as shown in Fig. 14, while providing $\eta_c > 0.4$.

The intake has an hexagonal shape and it features a front section of hexagonal ducts with different AR :

- Larger ducts in front of the thruster's discharge channel \Rightarrow increase A_{in} ;
- Narrower ducts in the outer intake region \Rightarrow reduce the backflow transmission probability, molecular trap operation.

At the rear there is a conical section with a chamber angle of 45° terminating on the thruster's discharge channel diameter.

Although the expected \dot{m}_{thr} is low compared to the currently applied \dot{m}_{thr} to the thruster's laboratory model [47, 48], 1) the thruster has still a large margin to be optimized in both size and operational conditions (therefore influencing intake geometry as well), 2) the input density is based on low solar activity, therefore for stronger solar activities, higher input density yields larger \dot{m}_{thr} with limited variations of η_c . The pressure distribution within the diffuse intake is shown in Fig. 14.

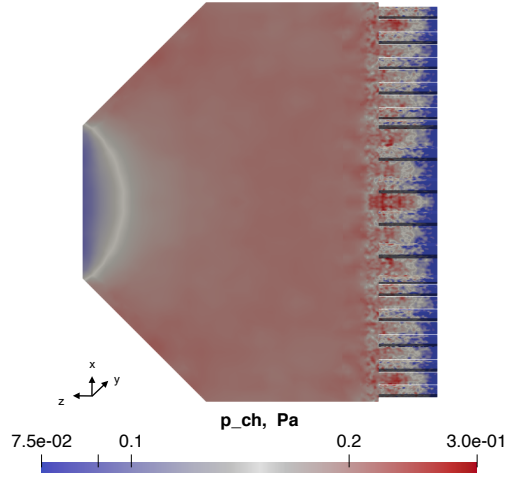


Figure 14: Diffuse Intake Pressure Distribution, $h = 150$ km.

In Tab. 8, the respective intake performance in the selected VLEO altitude range are presented, while in Fig. 15 the isometric render view of the diffuse intake is shown.

Table 8: Diffuse Intake Performance at Different Altitudes

h km	A_{in} m^2	\dot{N}_{in} 1/s	\dot{N}_{out} 1/s	η_c -	\dot{m}_{thr} mg/s
150	0.008	1.34E+18	6.11E+17	0.456	0.0240
180	“	3.37E+17	1.49E+17	0.443	0.0053
200	“	1.60E+17	7.14E+16	0.445	0.0023
220	“	8.26E+16	3.51E+16	0.424	0.0011
250	“	3.36E+16	1.40E+16	0.416	0.0004

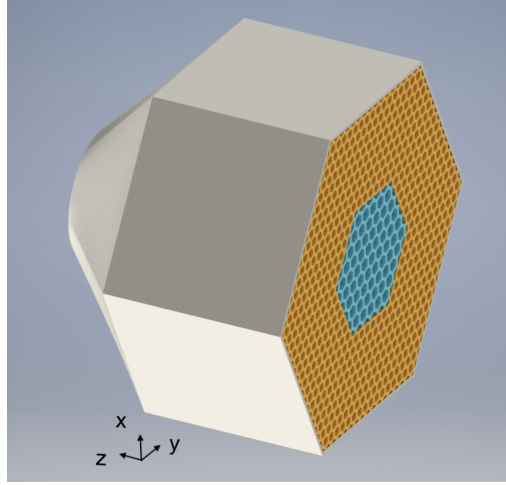


Figure 15: Diffuse Intake Render

8.5. *Specular Intake: Description, Performance, Render*

In this section the final specular intake is presented. Based on the analysis based on specular scattering, the S-FT case is selected: a parabolic scoop with its focus inside the thruster discharge channel providing $\eta_c = 0.94$, and $\dot{m}_{thr} = 0.23$ mg/s at $h = 150$ km. Different simulation times, verifying runs, solar activity maximum-minimum, bow shock analysis, and different orbital altitudes that are not reported here for the sake of brevity all confirmed the same performance values. Such design outperforms the diffuse intake also in terms of sensitivity to flow misalignment leading to a limit of $\alpha = 15^\circ$ resulting in $\eta_c < 0.6$. The pressure achieved at the back of the intake is $p_{ch} = 0.3$ Pa.

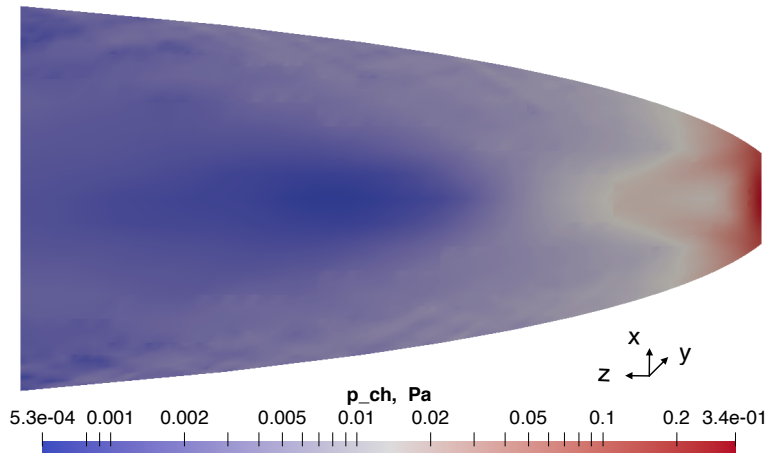


Figure 16: S-FT case pressure distribution, $h = 150$ km

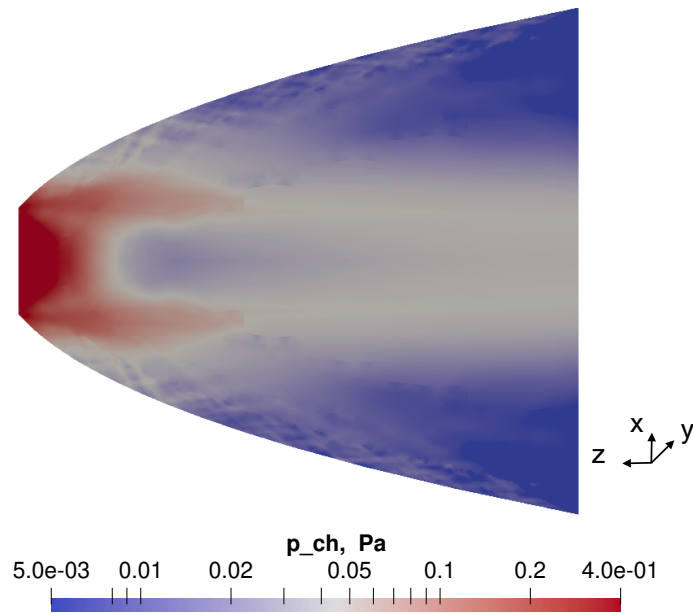


Figure 17: S-FE case pressure distribution, $h = 150$ km

The S-FT case is selected as the best specular intake candidate as it provides $\eta_c = 0.94$ and $\dot{m}_{thr} \sim 0.23$ mg/s.

Although it falls under the estimated value for the current laboratory model thruster’s discharge channel operating pressure $p_{ch} = 1 - 7$ Pa [47, 48], it has been experimentally shown that helicon plasma thrusters can operate as low as $p_{ch} = 0.266$ Pa [49]. The specular intake render is shown in Fig. 18, while the performances are shown in Tab. 9.

Table 9: Specular Intake Performance at Different Altitudes

h	A_{in}	\dot{N}_{in}	\dot{N}_{out}	η_c	\dot{m}_{thr}
km	m ²	1/s	1/s	-	mg/s
150	0.019	6.33E+18	5.97E+18	0.943	0.232
180	“	1.59E+18	1.49E+18	0.934	0.052
200	“	7.58E+17	7.06E+17	0.930	0.023
220	“	3.90E+17	3.62E+17	0.926	0.011
250	“	1.59E+17	1.47E+17	0.922	0.004

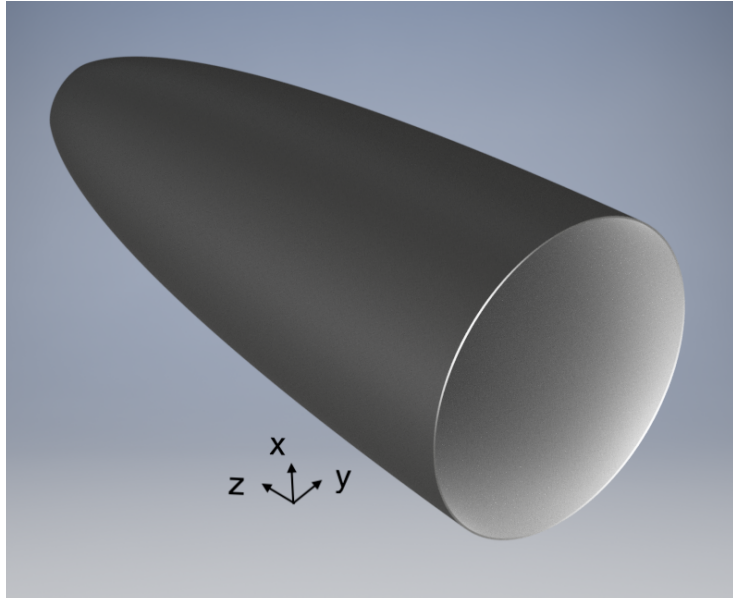


Figure 18: Specular Intake Render

8.6. ABEP System Performance Estimation

To assess the ABEP system performance, a preliminary thrust vs drag analysis is hereby performed. The drag F_D is calculated assuming the frontal area

of the intake (specular and diffuse final designs) to be that of the spacecraft $A_f = A_{Intake}$, a drag coefficient $C_D = 2.2$ is assumed [50]. The SC velocity calculated as in Eq. 6, and the respective density from the NRLMSISE-00 model, see Eq. 7.

$$F_D = \frac{1}{2}\rho(h)v(h)^2 A_f C_D \quad (7)$$

The thrust F_T is calculated as in Eq. 8.

$$F_T = \dot{m}_{thr} c_e \quad (8)$$

Where c_e is the exhaust velocity that, by applying the condition of full drag compensation $F_D/F_T = 1$, the required c_e can be extracted. Finally, as c_e is linearly dependent with $v(h)^2$, and $v(h)$ changes only slightly in the considered VLEO h range, $c_e = 9.1 - 9.2$ km/s for the “Specular Intake”, and $c_e = 35.8 - 39.8$ km/s for the “Diffuse Intake”. This highlights the greater effectiveness of the “Specular Intake” compared to the “Diffuse Intake”, for example by maintaining the intake geometry but increasing A_f such that $A_f > A_{in}$, to stay within the range achieved by the state-of-the-art conventional EP thrusters [51], an $A_f = 0.1$ m² would require for the “Specular Intake” $c_e \sim 48$ km/s, while for the “Diffuse Intake” $c_e \sim 190 - 210$ km/s, way higher than what available with current EP technologies [51]. Finally, the “Diffuse Intake” does not necessarily be discarded, as its performance can be still tuned for delivering higher \dot{m}_{thr} , and could benefit greatly from more accurate studies in low-drag SC design, and experimental results on the plasma thruster development. Moreover, it can be combined with a specular-based design to realize a hybrid intake.

9. Conclusion

This article provides with the intake working principle for an ABEP system, and describes the main equations to determine the main parameters of interest. Furthermore, a brief literature review of the currently designed intakes for ABEP systems, highlighting the respective performance is presented. GSI models are introduced and their importance in the intake design highlighted, along with the NRLMSISE-00 atmospheric model used to extrapolate VLEO conditions. Finally the numerical tool PICLas is introduced and utilized to simulate the designed intakes. Hereby, it can be concluded that, concerning the diffuse-based intake design, η_c is generally improved by the addition of small ducts of given length-to-radius ratios in the front of the intake, but their presence decreases FR , therefore A_{in} , leading to lower \dot{m}_{thr} , and p_{ch} , not to mention the $A_{Intake} > A_{in}$ that leads to increased aerodynamic drag. Larger ducts in front of the discharge channel can increase A_{in} without increasing A_{Intake} . This, in turn, also leads to higher \dot{m}_{thr} , and consequently η_c , as the particles entering the central region right in front of the discharge channel cross section, and that are parallel to z , enter the discharge channel directly without impacting with the chamber walls. Indeed, by hypothetically removing the intake, therefore having $A_{in} = A_{out}$, the efficiency could be maximized leading to $\eta_c \sim 1$.

An increment of A_{in} can lead to higher \dot{m}_{thr} and p_{ch} , however, a change of A_{in} also modifies A_{in}/A_{out} which, in turn, can decrease η_c . Moreover, an increase of A_{out} generally leads to higher \dot{m}_{thr} but, at the same time, lowers the pressure p_{ch} . Finally it is shown how a large area of uniform p_{ch} can be built in front of the thruster's discharge channel.

Concerning the general behaviour of the specular-based intake designs analysed here, η_c is generally improved by shifting the position of the parabola focus to inside the thruster discharge channel. This also directly increases \dot{m}_{thr} as most of the particles will be focused to that point, rather than to a point that is placed at the edge or before the edge of the thruster's discharge channel. The maximum pressure p_{ch} is generally concentrated in the area around the focus point for the same reasons above, if a higher pressure before the thruster's discharge channel is desired, then the focus shall be moved earlier, at the edge of it. Compared to the diffuse case, the FR is higher due to the absence of the small ducts in the front, leading to larger A_{in}/A_{Intake} and, therefore, \dot{m}_{thr} .

The investigation of different intake geometries, based on diffuse and specular GSI, lead to two optimal intake designs for an ABEP system implementing the RF Helicon-based plasma thruster, one based on fully diffuse, and the other on fully specular reflections. The "Specular Intake" offers the best performance in terms of η_c with a final $\eta_c = 0.94$ and a resulting $\dot{m}_{thr} \sim 0.23$ mg/s at $h = 150$ km for low solar activity, while requiring $c_e < 9.2$ km/s at VLEO altitudes for full drag compensation. Therefore, it provides a certain margin for compensating drag of $A_f < 0.1$ m² while maintaining $c_e < 50$ km/s. Such design is also robust to misalignments with the flow compared to the diffuse intake. The performance drops at $\eta_c < 0.6$ for $\alpha = 15^\circ$, therefore small α variations can be tolerated during the mission, relaxing the requirement of the attitude control and determination system (ACDS). The "Diffuse Intake", instead, provides $\eta_c = 0.458$ for $A_{Intake} = 0.004$ m² and $FR = 52\%$. Such design is highly sensitive to the misalignment with the flow, highlighting a -17% drop in η_c for $\alpha = 5^\circ$. This results in a stronger requirement for the ACDS to maintain ABEP performance over the orbit. Moreover, hybrid intake taking advantage of both specular, and diffuse scattering properties are briefly investigated. Furthermore, η_c cannot be the only parameter used to compare two intakes that are based on different GSI properties, as design changes also influences areas and pressures, therefore, the large η_c of the "Specular Intake" certainly is advantageous but it always depends on is the thruster requirement, therefore making the "Diffuse Intake" also a good solution for a given thruster. The use of the "Specular Intake", moreover, directly drives the particles inside the discharge channel of the thruster, instead of building a slightly lower pressure compared and drive them due to diffusion based on the "Diffuse Intake". Which one is best, finally depends on the thruster that is applied and its respective requirements.

Finally, in an ABEP-based missions, both the ACDS and ABEP systems must be designed to cope with such deviation. Moreover, the ABEP must be able to operate in a wide regime of density and composition as the residual atmosphere is not an uniform environment, as it depends not only on the altitude h , but also on the time, illumination, location, and solar activity.

Further investigations are required for the C_D and SC aerodynamic design, as well for AO resistant and drag-reducing materials [52, 53] to improve the modelling. Currently, a set of sub-scale prototypes are prepared for being tested in relevant VLEO AO flow conditions within the H2020 DISCOVERER project. The Rarefied Orbital Aerodynamics Research facility (ROAR) at The University of Manchester [54] will be used to experimentally validate such designs under AO flows at VLEO conditions, as well as the future incoming results on aerodynamic SC control from the Satellite for Orbital Aerodynamics Research (SOAR) [55]. Furthermore, the application of real material GSI properties to the simulations has to be applied for later being further iterated with the intake testing. This will serve to validate the models against experiments before building a flight version prototype. Moreover, the intake design work has to be strongly linked (and iterated along) with the thruster design work, to ensure their operation in a common range of pressures, mass flows, and efficiencies. Finally, an ABEP system has great potentials on Earth observation and telecommunications in VLEO over LEO [56], and a near future ABEP technological demonstration mission is needed. A GOCE-like mission [57] could serve to experimentally validate the ABEP system. Novel mission types can arise as future exploration missions: long term high resolution data from Earth's magnetic field can be acquired with higher accuracy, as well as continuous measurements of the atmosphere and higher resolution imaging. A small platform equipped with both conventional and ABEP, would serve as technological demonstration. Furthermore, fully-ABEP-based SC can be applied also for exploration of celestial bodies other than Earth, such as Venus and Mars, and even further for the application to the gas giants and their moons.

Acknowledgements

This project has received funding from the European Union's Horizon 2020 research and innovation program under grant agreement No. 737183. This reflects only the author's view and the European Commission is not responsible for any use that may be made of the information it contains.

References

- [1] P. Roberts, N. Crisp, V. Abrao Oiko, S. Edmondson, S. Haigh, C. Huyton, S. Livadiotti, R. Lyons, K. Smith, L. Sinpetru, A. Straker, S. Worrall, F. Romano, G. Herdrich, A. Boxberger, Y.-A. Chan, C. Traub, S. Fasoulas, K. Smith, R. Outlaw, J. Becedas, R. Domínguez, D. González, V. Hanessian, A. Mølgaard, J. Nielsen, M. Bisgaard, D. Garcia-Almiñana, S. Rodriguez-Donaire, M. Sureda, D. Kataria, R. Villain, J. S. Perez, A. Conte, B. Belkouchi, A. Schwalber, B. Heißerer, DISCOVERER – making commercial satellite operations in very low Earth orbit a reality, 70th International Astronautical Congress, Washington D.C., USA (IAC-19.C2.6.1x50774).

- [2] F. Romano, B. Massuti-Ballester, T. Binder, G. Herdrich, S. Fasoulas, T. Schönherr, System analysis and test-bed for an atmosphere-breathing electric propulsion system using an inductive plasma thruster, *Acta Astronautica* 147 (2018) 114 – 126. doi:<https://doi.org/10.1016/j.actaastro.2018.03.031>.
- [3] D. Di Cara, J. Gonzalez del Amo, A. Santovincenzo, B. C. Domínguez, M. Arcioni, A. Caldwell, I. Roma, RAM electric propulsion for low Earth orbit operation: an ESA study, 30th International Electric Propulsion Conference 2007, Florence, Italy (IEPC 2007 162).
- [4] G. Cifali, T. Misuri, P. Rossetti, M. Andrenucci, D. Valentian, D. Feili, B. Lotz, Experimental characterization of HET and RIT with atmospheric propellants, 32nd International Electric Propulsion Conference, Wiesbaden, Germany (IEPC 2011 224).
- [5] G. Cifali, D. Dignani, T. Misuri, P. Rossetti, M. Andrenucci, D. Valentian, F. Marchandise, D. Feili, B. Lotz, Completion of HET and RIT characterization with atmospheric propellants, *Space Propulsion 2012*, Bordeaux, France (SP2012 2355386).
- [6] K. Fujita, Air intake performance of air breathing ion engines, *Journal of the Japan Society for Aeronautical and Space Sciences* 52 (610) (2004) 514–521. doi:10.2322/jjsass.52.514.
- [7] K. Fujita, Air-intake performance estimation of air-breathing ion engines, *Transactions of the Japan Society of Mechanical Engineers. B* 70 (700) (2004) 3038–3044.
URL <http://ci.nii.ac.jp/naid/110004999698/en/>
- [8] Y. Hisamoto, K. Nishiyama, H. Kuninaka, Development statue of atomic oxygen simulator for air breathing ion engine, in: 32nd Intern. Electric Propulsion Conference. IEPC 2011 (Wiesbaden, Germany, Sept. 11-15 2011): Proc, 2011.
- [9] Y. Hisamoto, K. Nishiyama, H. Kuninaka, Design of air intake for air breathing ion engine, in: 63rd International Astronautical Congress, no. IAC-12,C4,4,10,x14578, 2012.
- [10] M. Tagawa, K. Yokota, K. Nishiyama, H. Kuninaka, Y. Yoshizawa, D. Yamamoto, T. Tsuboi, Experimental study of air breathing ion engine using laser detonation beam source, *Journal of Propulsion and Power* 29 (3) (2013) 501–506. doi:10.2514/1.B34530.
- [11] K. Hohman, Atmospheric breathing electric thruster for planetary exploration, *Busek Co. Inc.* 11 (2012) 01760–1023.
- [12] K. Hohman, Atmospheric breathing electric thruster for planetary exploration, Presented as the NIAC Spring Symposium, Presentation, 2012.

- [13] S. Barral, G. Cifali, R. Albertoni, M. Andrenucci, L. Walpot, Conceptual design of an air-breathing electric propulsion system, in: Joint Conf. of 30th Int. Symp. on Space Technology and Science, 34th Int. Electric Propulsion Conf. and 6th Nano-Satellite Symp, 2015.
- [14] G. Cifali, T. Andrenussi, V. Giannetti, A. Leoprini, A. Rossodivita, M. Andrenucci, S. Barral, J. Longo, L. Walpot, Experimental validation of a RAM-EP concept based on Hall-effect thruster, Space Propulsion 2016, Rome, Italy (SP2016 3125202).
- [15] T. Andreussi, G. Cifali, V. Giannetti, A. Piragino, E. Ferrato, A. Rossodivita, M. Andrenucci, J. Longo, L. Walpot, Development and experimental validation of a Hall-effect thruster RAM-EP concept, 35th International Electric Propulsion Conference, Atlanta, USA (IEPC 2017 377).
- [16] T. Andreussi, E. Ferrato, V. Giannetti, A. Piragino, C. A. Paissoni, G. Cifali, M. Andrenucci, Development status and way forward of SITAEL's air-breathing electric propulsion engine, in: AIAA Propulsion and Energy 2019 Forum, 3996, 2019.
- [17] E. Ferrato, V. Giannetti, A. Piragino, M. Andrenucci, T. Andreussi, C. A. Paissoni, Development roadmap of SITAEL's RAM-EP system, 36th International Electric Propulsion Conference, Vienna, Austria (IEPC 2019 886).
- [18] A. Shabshelowitz, Study of RF plasma technology applied to air-breathing electric propulsion, Ph.D. thesis, University of Michigan (2013).
- [19] F. Romano, Y.-A. Chan, G. Herdrich, C. Traub, S. Fasoulas, P. Roberts, K. Smith, S. Edmondson, S. Haigh, N. Crisp, V. Oiko, S. Worrall, S. Livadiotti, C. Huyton, L. Sinpetru, A. Straker, J. Becedas, R. Domínguez, D. González, V. Cañas, V. Sullioti-Linner, V. Hanessian, A. Mølgaard, J. Nielsen, M. Bisgaard, D. Garcia-Almiñana, S. Rodriguez-Donaire, M. Sureda, D. Kataria, R. Outlaw, R. Villain, J. Perez, A. Conte, B. Belkouchi, A. Schwalber, B. Heißerer, RF Helicon-based Inductive Plasma Thruster (IPT) Design for an Atmosphere-Breathing Electric Propulsion system (ABEP), *Acta Astronautica* 176 (2020) 476 – 483. doi:<https://doi.org/10.1016/j.actaastro.2020.07.008>.
- [20] L. A. Singh, M. L. Walker, A review of research in low earth orbit propellant collection, *Progress in Aerospace Sciences* 75 (2015) 15–25. doi:<https://doi.org/10.1016/j.paerosci.2015.03.001>.
- [21] F. Romano, T. Binder, G. Herdrich, S. Fasoulas, T. Schönherr, Air-intake design investigation for an air-breathing electric propulsion system, 34th International Electric Propulsion Conference, Kobe, Japan (IEPC 2015 269b).

- [22] F. Romano, T. Binder, G. Herdrich, T. Schönherr, Intake design for an atmosphere-breathing electric propulsion system, Space Propulsion 2016, Roma, Italy (SP2016 3124981).
- [23] T. Binder, P. C. Boldini, F. Romano, G. Herdrich, S. Fasoulas, Transmission probabilities of rarefied flows in the application of atmosphere-breathing electric propulsion, AIP Conference Proceedings 1786 (1) (2016) 190011. doi:10.1063/1.4967689.
- [24] A. Fitatyev, A. Golikov, L. Nosachev, V. Skvortsov, D. Padalitsa, Spacecraft with air-breathing electric propulsion as the future ultra-speed aircraft, 71st International Astronautical Congress, Online, The CyberSpace Edition (IAC-20,C4,6,8,x59643).
- [25] A. Erofeev, A. Nikiforov, G. Popov, M. Suvorov, S. Syrin, S. Khartov, Air-breathing ramjet electric propulsion for controlling low-orbit spacecraft motion to compensate for aerodynamic drag, Solar System Research 51 (7) (2017) 639–645.
- [26] A. S. Filatyev, O. V. Yanova, The control optimization of low-orbit spacecraft with electric ramjet, Acta Astronautica 158 (2019) 23–31.
- [27] M. Y. Marov, A. S. Filatyev, Integrated studies of electric propulsion engines during flights in the earth’s ionosphere, Cosmic Research 56 (2) (2018) 123–129. doi:10.1134/S0010952518020041.
- [28] A. I. Erofeev, Air intake in the transient regime of rarefied gas flow, TsAGI Science Journal 49 (2).
- [29] A. Erofeev, A. Nikiforov, G. Popov, M. Suvorov, S. Syrin, S. Khartov, Air-breathing ramjet electric propulsion for controlling low-orbit spacecraft motion to compensate for aerodynamic drag, Solar System Research 51 (7) (2017) 639–645.
- [30] S. Kanev, V. Petukhov, G. Popov, S. Khartov, Electro-rocket ramjet thruster for compensating the aerodynamic drag of a low-orbit spacecraft, Russian Aeronautics (Iz VUZ) 58 (3) (2015) 286–291.
- [31] P. Parodi, D. Quang, F. Bariselli, S. Boccelli, Z. Alsalihi, T. Magin, Study of a collector-intake system for VLEO air-breathing platforms, Conference on Flight vehicles, Aerothermodynamics and Re-entry Missions and Engineering (FAR), Monopoli, Italy.
- [32] L. Yanwu, X. Chen, L. Danming, X. Yuhua, D. Peng, G. Chengshi, Design and analysis of vacuum air-intake device used in air-breathing electric propulsion, Vacuum 120 (2015) 89–95. doi:<https://doi.org/10.1016/j.vacuum.2015.06.011>.

- [33] S. W. Jackson, R. Marshall, Conceptual design of an air-breathing electric thruster for cubesat applications, *Journal of Spacecraft and Rockets* 55 (3) (2018) 632–639. doi:10.2514/1.A33993.
- [34] G. A. Bird, *Molecular Gas Dynamics and the Direct Simulation of Gas Flows*, Clarendon, Oxford, 1994.
- [35] S. Livadiotti, N. H. Crisp, P. C. Roberts, S. D. Worrall, V. T. Oiko, S. Edmondson, S. J. Haigh, C. Huyton, K. L. Smith, L. A. Sinpetru, B. E. Holmes, J. Becedas, R. M. Domínguez, V. Cañas, S. Christensen, A. Mølgaard, J. Nielsen, M. Bisgaard, Y.-A. Chan, G. H. Herdrich, F. Romano, S. Fasoulas, C. Traub, D. Garcia-Almiñana, S. Rodriguez-Donaire, M. Sureda, D. Kataria, B. Belkouchi, A. Conte, J. S. Perez, R. Villain, R. Outlaw, A review of gas-surface interaction models for orbital aerodynamics applications, *Progress in Aerospace Sciences* 119 (2020) 100675. doi:10.1016/j.paerosci.2020.100675.
- [36] R. D. Muino, H. F. Busnengo, *Dynamics of Gas-Surface Interactions Atomic-level Understanding of Scattering Processes at Surfaces*, Springer series in surface sciences 50, 2013.
- [37] T. Liang, Q. Li, W. Ye, A physical-based gas–surface interaction model for rarefied gas flow simulation, *Journal of Computational Physics* 352 (2018) 105–122.
- [38] S. Livadiotti, N. H. Crisp, P. C. Roberts, S. D. Worrall, V. A. Oiko, S. Edmondson, S. J. Haigh, C. Huyton, K. L. Smith, L. A. Sinpetru, B. E. Holmes, J. Becedas, R. M. Domínguez, V. Cañas, S. Christensen, A. Mølgaard, J. Nielsen, M. Bisgaard, Y.-A. Chan, G. H. Herdrich, F. Romano, S. Fasoulas, C. Traub, D. Garcia-Almiñana, S. Rodriguez-Donaire, M. Sureda, D. Kataria, B. Belkouchi, A. Conte, J. S. Perez, R. Villain, R. Outlaw, A review of gas-surface interaction models for orbital aerodynamics applications, *Progress in Aerospace Sciences* 119 (2020) 100675. doi:<https://doi.org/10.1016/j.paerosci.2020.100675>.
- [39] J. A. Storch, Aerodynamic disturbances on spacecraft in free-molecular flow, Tech. rep., The Aerospace Corporation, El Segundo, California, USA (10 2002).
- [40] M. Leomanni, A. Garulli, A. Giannitrapani, F. Scortecci, Propulsion options for very low earth orbit microsattellites, *Acta Astronautica* 133 (2017) 444–454. doi:<https://doi.org/10.1016/j.actaastro.2016.11.001>.
- [41] T. Schönherr, K. Komurasaki, F. Romano, B. Massuti-Ballester, G. Herdrich, Analysis of atmosphere-breathing electric propulsion, *Plasma Science, IEEE Transactions on* 43 (1) (2015) 287–294. doi:10.1109/TPS.2014.2364053.

- [42] NASA, Community Coordinated Modeling Center NRLMSISE-00 Atmosphere Model.
URL <https://ccmc.gsfc.nasa.gov/modelweb/models/nrlmsise00.php>
- [43] S. Fasoulas, C.-D. Munz, M. Pfeiffer, J. Beyer, T. Binder, S. Copplestone, A. Mirza, P. Nizenkov, P. Ortwein, W. Reschke, Combining particle-in-cell and direct simulation monte carlo for the simulation of reactive plasma flows, *Physics of Fluids* 31 (7) (2019) 072006. doi:10.1063/1.5097638.
- [44] C.-D. Munz, M. Auweter-Kurtz, S. Fasoulas, A. Mirza, P. Ortwein, M. Pfeiffer, T. Stindl, Coupled particle-in-cell and direct simulation monte carlo method for simulating reactive plasma flows, *Comptes Rendus Mécanique* 342 (10–11) (2014) 662 – 670, theoretical and numerical approaches for Vlasov-maxwell equations. doi:<http://dx.doi.org/10.1016/j.crme.2014.07.005>.
- [45] J. Espinosa Orozco, Intake design, and optimization for an atmosphere-breathing electric propulsion system, Master’s thesis, KTH, School of Electrical Engineering and Computer Science (EECS) (2020).
- [46] M. A. M. Serrano, D. Kuijper, J. Sánchez, P. Ramos-Bosch, D. Sieg, Goce flight dynamics support to the low orbit and deorbiting operations, International Symposium on Space Flight Dynamics 2014, Laurel, Maryland, USA.
- [47] F. Romano, G. Herdrich, , Y.-A. Chan, P. C. Roberts, N. H. Crisp, A. Macario Rojas, S. Edmondson, S. Haigh, B. Holmes, S. Livadiotti, V. A. Oiko, K. Smith, L. Sinpetru, J. Becedas, R. Domínguez, V. Sullioti-Linne, S. Christensen, T. Kauffman Jensen, J. Nielsen, M. Bisgaard, S. Fasoulas, C. Traub, D. Garcia-Almiñana, M. Garcia-Berenguer, S. Rodriguez-Donaire, M. Sureda, D. Kataria, B. Belkouchi, A. Conte, S. Seminari, R. Villain, RF helicon-based plasma thruster (IPT): Design, set-up, and first ignition, 71st International Astronautical Congress, Online, The CyberSpace Edition (IAC-20,C4,5,11,x58032).
- [48] F. Romano, Y.-A. Chan, G. Herdrich, C. Traub, S. Fasoulas, P. Roberts, N. Crisp, B. Holmes, S. Edmonson, S. Haigh, S. Livadiotti, A. Macario-Rojas, V. Oiko, L. Sinpetru, K. Smith, J. Becedas, V. Sullioti-Linner, M. Bisgaard, S. Christensen, V. Hanessian, T. K. Jensen, J. Nielsen, D. Garcia-Almiñana, M. G.-B. S. Rodrigue-Donaire, M. Sureda, D. Kataria, B. Belkouchi, A. Conte, S. Seminari., Design, set-up, and first ignition of the RF Helicon-based Plasma Thruster, Space Propulsion 2021, Online (SP2021 00247).
- [49] K. Takahashi, Helicon-type radiofrequency plasma thrusters and magnetic plasma nozzles, *Reviews of Modern Plasma Physics* 3 (1) (2019) 3.
- [50] K. Moe, M. M. Moe, Gas-surface interactions and satellite drag coefficients, *Planetary and Space Science* 53 (8) (2005) 793–801. doi:<https://doi.org/10.1016/j.pss.2005.03.005>.

- [51] I. Levchenko, S. Xu, S. Mazouffre, D. Lev, D. Pedrini, D. Goebel, L. Garrigues, F. Taccogna, K. Bazaka, Perspectives, frontiers, and new horizons for plasma-based space electric propulsion, *Physics of Plasmas* 27 (2) (2020) 020601. doi:10.1063/1.5109141.
- [52] N. H. Crisp, A. Macario Rojas, P. C. Roberts, S. Edmondson, S. Haigh, B. Holmes, S. Livadiotti, V. A. Oiko, K. Smith, L. Sinpetru, J. Becedas, R. Domínguez, V. Sullioti-Linne, S. Christensen, T. Kauffman Jensen, J. Nielsen, M. Bisgaard, Y.-A. Chan, G. Herdrich, F. Romano, S. Fasoulas, C. Traub, D. Garcia-Almiñana, M. Garcia-Berenguer, S. Rodriguez-Donaire, M. Sureda, D. Kataria, B. Belkouchi, A. Conte, S. Seminari, R. Villain, Investigation of novel drag-reducing and atomic oxygen resistant materials in very low earth orbit using SOAR (satellite for orbital aerodynamics research), 71st International Astronautical Congress, Online, The CyberSpace Edition (IAC-2020,B4,2,5,x59341).
- [53] C. T. G. Smith, M. Delkowi, J. V. Anguita, D. C. Cox, C. Haas, S. R. P. Silva, Complete atomic oxygen and UV protection for polymer and composite materials in a low Earth orbit, *ACS Applied Materials & Interfaces* 13 (5) (2021) 6670–6677, pMID: 33523644. doi:10.1021/acsami.0c21552.
- [54] V. Abrao Oiko, P. Roberts, A. Macario Rojas, S. Edmondson, S. Haigh, B. Holmes, S. Livadiotti, N. Crisp, K. Smith, L. Sinpetru, J. Becedas, R. Domínguez, V. Sullioti-Linne, S. Christensen, T. Kauffman Jensen, J. Nielsen, M. Bisgaard, Y.-A. Chan, G. Herdrich, F. Romano, S. Fasoulas, C. Traub, D. Garcia-Almiñana, M. Garcia-Berenguer, S. Rodriguez-Donaire, M. Sureda, D. Kataria, B. Belkouchi, A. Conte, S. Seminari, R. Villain, Ground-based experimental facility for orbital aerodynamics research: Design, construction and characterisation, in: 71st International Astronautical Congress (IAC) – The CyberSpace Edition, 12-14 October 2020, 2020.
- [55] N. Crisp, P. Roberts, S. Livadiotti, A. Macario Rojas, V. Oiko, S. Edmondson, S. Haigh, B. Holmes, L. Sinpetru, K. Smith, J. Becedas, R. Domínguez, V. Sullioti-Linner, S. Christensen, J. Nielsen, M. Bisgaard, Y.-A. Chan, S. Fasoulas, G. Herdrich, F. Romano, C. Traub, D. García-Almiñana, S. Rodríguez-Donaire, M. Sureda, D. Kataria, B. Belkouchi, A. Conte, S. Seminari, R. Villain, In-orbit aerodynamic coefficient measurements using soar (satellite for orbital aerodynamics research), *Acta Astronautica* 180 (2021) 85–99. doi:<https://doi.org/10.1016/j.actaastro.2020.12.024>.
- [56] N. H. Crisp, P. C. Roberts, S. Livadiotti, V. A. Oiko, S. Edmondson, S. J. Haigh, C. Huyton, L. A. Sinpetru, K. L. Smith, S. D. Worrall, J. Becedas, V. Hanessian, J. Nielsen, M. Bisgaard, Y.-A. Chan, S. Fasoulas, G. H. Herdrich, F. Romano, C. Traub, D. Garcia-Almiñana, S. Rodriguez-Donaire, M. Sureda, D. Kataria, R. Outlaw, B. Belkouchi, A. Conte, J. S. Perez, R. Villain, B. Heißerer, A. Schwalber, The benefits of very low earth orbit

for earth observation missions, Progress in Aerospace Sciences 117 (2020) 100619.

- [57] ESA, GOCE System Critical Design Review (CDR), Tech. rep., ALENIA Spazio (May 2005).