

(19) World Intellectual Property Organization
International Bureau



(43) International Publication Date
25 January 2007 (25.01.2007)

PCT

(10) International Publication Number
WO 2007/010184 A1

(51) International Patent Classification:
G02B 6/43 (2006.01)

(74) Agent: FREEMAN, Avi; Beck Greener, Fulwood House,
12 Fulwood Place, London WC1V 6HR (GB).

(21) International Application Number:
PCT/GB2006/002441

(81) Designated States (unless otherwise indicated, for every kind of national protection available): AE, AG, AL, AM, AT, AU, AZ, BA, BB, BG, BR, BW, BY, BZ, CA, CH, CN, CO, CR, CU, CZ, DE, DK, DM, DZ, EC, EE, EG, ES, FI, GB, GD, GE, GH, GM, HN, HR, HU, ID, IL, IN, IS, JP, KE, KG, KM, KN, KP, KR, KZ, LA, LC, LK, LR, LS, LT, LU, LV, LY, MA, MD, MG, MK, MN, MW, MX, MZ, NA, NG, NI, NO, NZ, OM, PG, PH, PL, PT, RO, RS, RU, SC, SD, SE, SG, SK, SL, SM, SY, TJ, TM, TN, TR, TT, TZ, UA, UG, US, UZ, VC, VN, ZA, ZM, ZW.

(22) International Filing Date: 30 June 2006 (30.06.2006)

(25) Filing Language: English

(26) Publication Language: English

(30) Priority Data:
60/699,382 15 July 2005 (15.07.2005) US

(84) Designated States (unless otherwise indicated, for every kind of regional protection available): ARIPO (BW, GH, GM, KE, LS, MW, MZ, NA, SD, SL, SZ, TZ, UG, ZM, ZW), Eurasian (AM, AZ, BY, KG, KZ, MD, RU, TJ, TM), European (AT, BE, BG, CH, CY, CZ, DE, DK, EE, ES, FI, FR, GB, GR, HU, IE, IS, IT, LT, LU, LV, MC, NL, PL, PT, RO, SE, SI, SK, TR), OAPI (BF, BJ, CF, CG, CI, CM, GA, GN, GQ, GW, ML, MR, NE, SN, TD, TG).

(71) Applicant (for all designated States except US): XYRA-
TEX TECHNOLOGY LIMITED [GB/GB]; Langstone
Road, Havant, Hampshire PO9 1SA (GB).

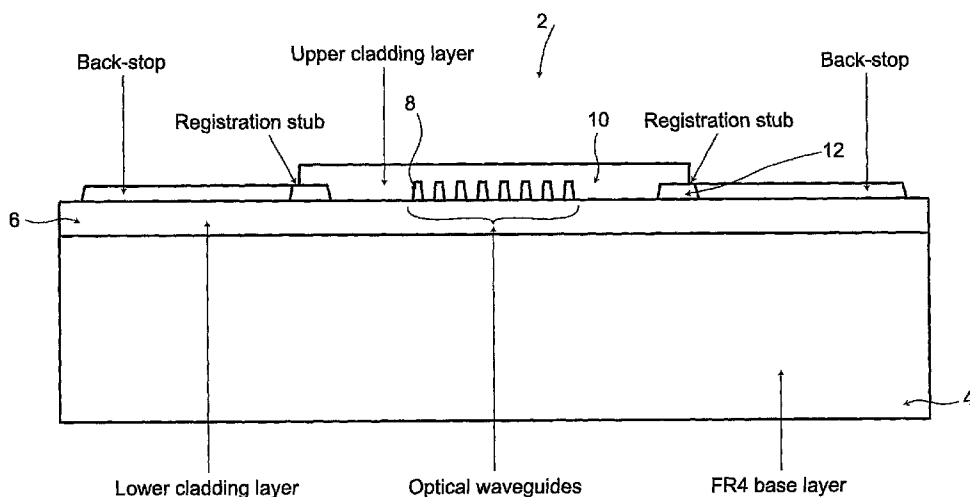
(72) Inventors; and

(75) Inventors/Applicants (for US only): JOHNSON, Ian,
David [GB/GB]; 17 Grange Park, Ferring, West Sus-
sex BN12 5LS (GB). PITWON, Richard, Charles,
Alexander [GB/GB]; Flat 1, 66 Campbell Road, South-
sea, Hampshire PO5 1RW (GB). SELVIAH, David, R.
[GB/GB]; 68 Queensbury Close, Bedfoed MK40 4RE
(GB). PAPAKONSTANTINOU, Ioannis [GR/GB];
Torrington Place, London WC1E 7JE (GB).

Published:
— with international search report

For two-letter codes and other abbreviations, refer to the "Guidance Notes on Codes and Abbreviations" appearing at the beginning of each regular issue of the PCT Gazette.

(54) Title: OPTICAL PRINTED CIRCUIT BOARD AND MANUFACTURING METHOD



(57) Abstract: The invention provides a method of manufacturing an optical printed circuit board and an optical printed circuit board. The method comprises providing a support layer; on the support layer, providing an optical core layer; forming optical channels from the optical core layer and surrounding the optical channels with cladding thereby forming optical waveguides; and during said step of forming the optical channels, forming one or more alignment features (e.g. projections) on the optical printed circuit board.

WO 2007/010184 A1

